

Planet X3

22 x 30 mm | 5–12 mm | 2–6 mm | 7A/9A | 52 dB



Overview of Advantages

- Drop-down seal for exterior doors made of wood, metal or PVC
- Driving rain proof (7A/9A, ift certified), no drainage channel required
- 3 sealing movements simultaneously: downwards, to the left and to the right, individually adjustable
- Drop height 5 – 12 mm, side lift 2 – 6 mm, easily adjustable
- Sound absorption level up to 52 dB with optimal sealing
- High quality silicone lip
- Minimum door thickness 68 mm
- Can be shortened to the next smaller stock length with Planet X3 shortening set
- 2-year warranty

Incl. accessories

Planet assembly set X3 for wooden doors with 2 mounting brackets (stainless steel), 4 screws

Tender specification

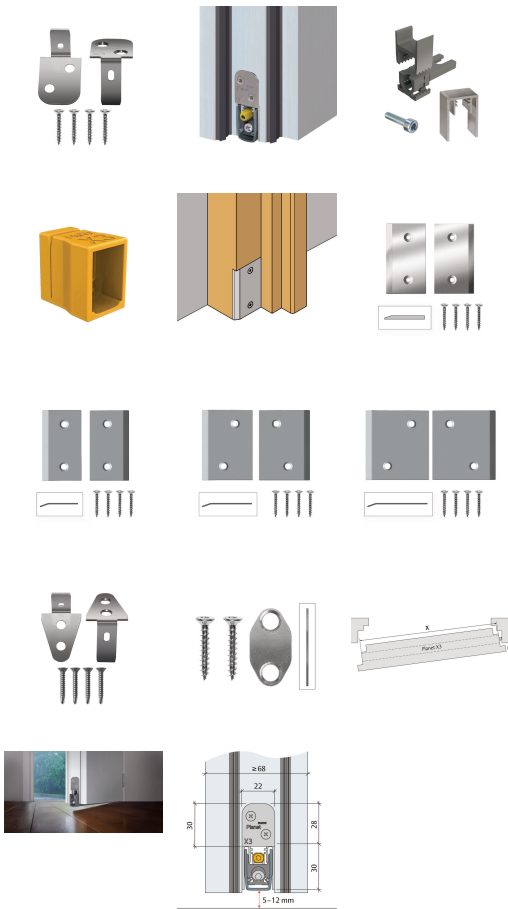
Automatic door drop-down seal Planet X3 RD | 52 dB, against driving rain (7A/9A, ift certified) for sound and smoke-shielding protection doors, release on one side on the hinge side, 3 sealing movements: Seal can be adjusted to the left, downwards and to the right, seal height 5 – 12 mm, side lift adjustment 2 – 6 mm, flush or 2 mm deeper with lip protection for grooving. Silicone lip, side attachment. Profile made of aluminium 22 x 30 mm.

Technical data

Groove size	22.5 mm wide and 30 to 32 mm deep
Seal profile	high-quality silicone
Sound absorption value	up to 52 dB at ground air 7 mm
Frame protector plate	Planet corner plate set X3 recommended (optional)
Fastening	with stainless steel mounting brackets and screws on the side
Can be shortened	max. 125 mm
Release	on one side, hinge side
Drop height adjustment	on the release pin with 3 mm Allen key, side lift adjustment (2 – 6 mm) on the front side with 4 mm Allen key
Max. drop height	5 – 12 mm
Profile size	22 x 30 mm
Profile material	aluminium
Special features	Driving rain proof 7A/9A, 300 Pa, classification according to DIN EN 12208 Test method according to DIN EN 1027

Variants that can be ordered

Order number	Version	Length	can be shortened to	Order placement information
206084	Can be shortened	835 mm	>710 mm	Seal must be assembled!
206096	Can be shortened	960 mm	>835 mm	Seal must be assembled!
206109	Can be shortened	1085 mm	>960 mm	Seal must be assembled!
206121	Can be shortened	1210 mm	>1085 mm	Seal must be assembled!
206134	Can be shortened	1335 mm	>1210 mm	Seal must be assembled!
206146	Can be shortened	1460 mm	>1335 mm	Seal must be assembled!
209084	made to measure	710 - 835 mm		ready for installation (cannot be shortened)
209096	made to measure	835 - 960 mm		ready for installation (cannot be shortened)
209109	made to measure	961 - 1085 mm		ready for installation (cannot be shortened)
209121	made to measure	1086 - 1210 mm		ready for installation (cannot be)



Features / versions (depending on options)



Floor surfaces



Possible door types (depending on options)



209134	made to measure	1211 - 1335 mm	ready for installation (cannot be shortened)
209146	made to measure	1336 - 1460 mm	ready for installation (cannot be shortened)

Suitable options

Order number	Product
900440	Silicon protrusionSilicone projection, hinge side: x mm; lock side: y mm, for all Planet types

Accessories/Individual parts

Order number	Product
900096	Planet assembly set X3, for wooden doors
900097	Planet assembly set X3, for metal doorsPlanet assembly set X3 for metal doors, incl. drilling screws
900136	Planet corner plate set X3, aluminiumPlanet corner plate set X3, aluminium, 29 x 55 mm, 5 mm thick
900137	Corner plate set X3, sheet metal (stainless steel) Type 1Corner plate set X3, sheet metal (stainless steel) Type 1, 29 x 55 mm, 1 mm thick
900954	Corner plate set X3, sheet metal (stainless steel) type 2Eckplattenset X3, Blech (stainless steel) type 2, 39 x 55 mm, 1 mm dick
900955	Corner plate set X3, sheet metal (stainless steel) Type 3Corner plate set X3, sheet metal (stainless steel) Type 3, 49 x 55 mm, 1 mm thick
902110	Planet shortening set X3Planet shortening set X3 (for version triggered on one side on the hinge side)
900930	Planet shortening aid X3Planet shortening aid X3, plastic, yellow
902344	Stopping plate type 6Stopping plate type 6, 13 x 24 mm, incl. screws
	Planet F120 click threshold
	Planet F140 click threshold
	Planet F130 click threshold
	Gutmann WESER ZERO threshold