

FIRE DOOR 1

LVV40 AIR TRANSFER GRILLE WITH COVER GRILLES INTO TIMBER FIRE DOOR

DESCRIPTION

- | | |
|---|---|
| 1 | FD30: 44mm thick fire door
FD60: 54mm thick timber fire door |
| 2 | Pressed steel cover grille to door fasteners -
25mm wood screws |
| 3 | Pressed steel cover grille |
| 4 | LVV40 intumescent air transfer grille |
| 5 | Intumescent air transfer grille to door fasteners -
25mm wood screws |
| 6 | Use sealant to bed air transfer grille into door |

In order to comply with CF564, the upper edge of the grille shall be no higher than 3000mm from floor level. The lower edge of the grille shall be no closer than 200mm to floor level. Consult door manufacturers before cutting out in relation to permissible aperture sizes and locations

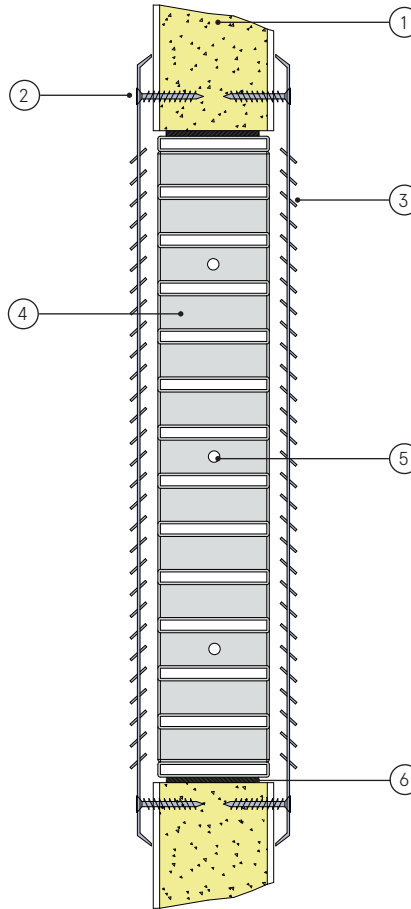
If the door leaf core does not comprise a solid timber lamel core (i.e. a core of chipboard, flaxboard etc.), the aperture provided in the leaf should be lined to full width using hardwood, with a minimum density of 650kg/m³ and a thickness of at least 6mm. This hardwood liner may be omitted should the leaf have been tested.

CONTENTS

- LVV40 air transfer grille
- Cover grille (optional)

TOOLS REQUIRED

- Power drill
- Screw driver
- 25mm wood screws
- Lorient intumescent sealant



Note: Screw holes based on 600mm square grille. Location and number may vary depending on the size of the grille. Max centres 200mm.

certifire
(CF564)

LVV40 into a fire door FD30/60

Fire Resistance in accordance with

BS 476-22:1987

Approval Ref

WF185829/A
Certifire CF564

Max single cell size

600mm x 600mm

LVV40 air transfer grilles are supplied 2mm less than the nominal size e.g. a 300mm x 300mm is actually 298mm x 298mm.

INSTALLATION INSTRUCTIONS

- ▶ Ensure that cutting an aperture in the door will not detract from the fire integrity of the door. Contact the manufacturer to establish the maximum size and optimum position.
- ▶ Cut the aperture to the required size with a maximum gap all around of 3mm.
- ▶ Apply Lorient intumescent sealant to the inside faces of the aperture.
- ▶ Fit the LVV40 into the aperture and ensure that it is positioned equidistant from each face and parallel from both faces of the door.
- ▶ Fit retaining wood screws through pre-drilled holes in LVV40 outer uprights into door.
- ▶ Clean off surplus sealant and ensure outer edge of LVV40 is fully sealed.
- ▶ Position pressed steel cover grille centrally over one face of the LVV40 and fix using 25mm wood screws.
- ▶ Repeat to other face if two cover grilles are to be fitted.
- ▶ **Note: Fixings supplied by others.**

FIRE DOOR 2

LVN20 NON-VISION AIR TRANSFER GRILLE INTO TIMBER FIRE DOOR

DESCRIPTION

- | | |
|---|--|
| 1 | 44mm thick timber fire door |
| 2 | Aluminium mounting flange |
| 3 | Intumescent air transfer grille to door fasteners - 25mm wood screws |
| 4 | LVN20 intumescent air transfer grille |

In order to comply with CF564, the upper edge of the grille shall be no higher than 800mm from floor level. Consult door manufacturers before cutting out in relation to permissible aperture sizes and locations

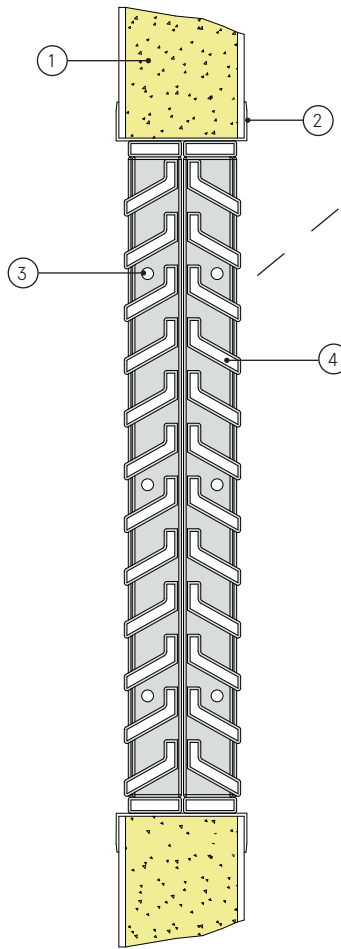
If the door leaf core does not comprise a solid timber lamel core (i.e. a core of chipboard, flaxboard etc.), the aperture provided in the leaf should be lined to full width using hardwood, with a minimum density of 650kg/m³ and a thickness of at least 6mm. This hardwood liner may be omitted should the leaf have been tested.

CONTENTS

- LVN20 air transfer grille
- Aluminium mounting flange (optional)

TOOLS REQUIRED

- Power drill
- Screw driver
- 25mm wood screws
- Lorient intumescent sealant



Note: Screw holes based on 450mm square grille. Location and number may vary depending on the size of the grille. Max centres 200mm.

certifire
(CF564)

LVN20 into a timber fire door

FD30

Fire Resistance in accordance with

BS 476-22:1987

Approval Ref

WFRC: C122567*
Certifire CF564**

Max area

0.36m²*
0.2025m²**

LVN20 air transfer grilles are supplied 2mm less than the nominal size e.g. a 300mm x 300mm is actually 298mm x 298mm, but the PVC mounting flange needs an extra 4mm overall, giving total dimensions 2mm greater than the nominal size. e.g. 302mm x 302mm.

INSTALLATION INSTRUCTIONS

- ▶ Ensure that cutting an aperture in the door will not detract from the fire integrity of the door. Contact the manufacturer to establish the maximum size and optimum position.
- ▶ Cut the aperture to the required size with a maximum gap all around of 3mm. e.g. Maximum dimensions 306mm x 306mm.
- ▶ The door leaf does not compromise a solid timber lamel core (i.e. a core of chipboard, hardboard etc.), the aperture provided should be lined the full width using hardwood (minimum density of 650kg/m³ and thickness of 6mm).
- ▶ Apply a bead of Lorient intumescent sealant around the aperture approx. 1cm from both sides of the door surface. This will provide a bed for the LVN20.
- ▶ Pre-drill vertical outer frames of LVN20 to accept fixing screws.
- ▶ Fit one half of the LVN20 into the aperture and ensure that it is positioned with the flange snug to the face.
- ▶ Fit retaining wood screws through pre-drilled holes in the LVN20 vertical outer uprights into door.
- ▶ Clean off surplus sealant and ensure periphery of half of the LVN20 is fully sealed.
- ▶ Repeat the process with the remaining half of the LVN20.
- ▶ **Note: Fixings supplied by others.**

FIRE DOOR 3

LVN25 NON-VISION AIR TRANSFER GRILLE INTO TIMBER FIRE DOOR

DESCRIPTION

- 1 Greater than 50mm thick fire door for FD30, 54mm thick fire door for FD60
- 2 Aluminium mounting flange
- 3 Intumescent air transfer grille to door fasteners - 25mm wood screws
- 4 LVN25 intumescent air transfer grille

In order to comply with CF564, the upper edge of the grille shall be no higher than 800mm from floor level. Consult door manufacturers before cutting out in relation to permissible aperture sizes and locations

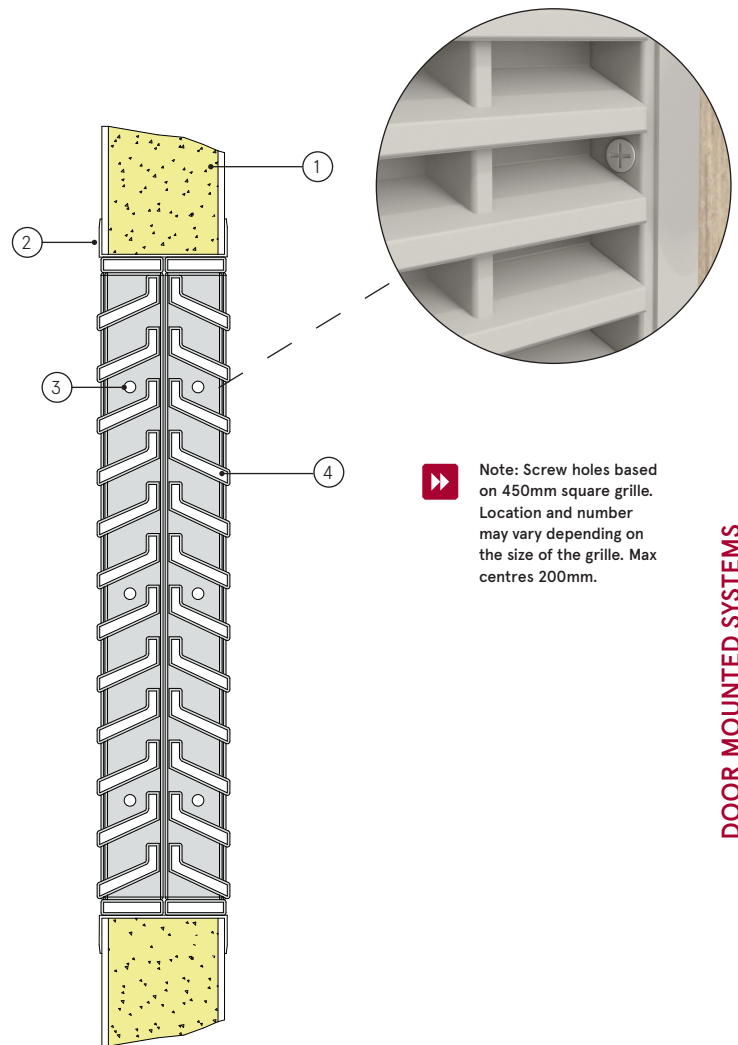
If the door leaf core does not comprise a solid timber lamel core (i.e. a core of chipboard, flaxboard etc.), the aperture provided in the leaf should be lined to full width using hardwood, with a minimum density of 650kg/m³ and a thickness of at least 6mm. This hardwood liner may be omitted should the leaf have been tested.

CONTENTS

- LVN25 air transfer grille
- Aluminium mounting flange (optional)

TOOLS REQUIRED

- Power drill
- Screw driver
- 25mm wood screws
- Lorient intumescent sealant



Note: Screw holes based on 450mm square grille. Location and number may vary depending on the size of the grille. Max centres 200mm.

DOOR MOUNTED SYSTEMS

certifire
(CF564)

LVN25 into a timber fire door

FD30/FD60

Fire Resistance in accordance with

BS 476-22:1987

Approval Ref

WFRC: C122567*
Certifire CF564**

Max single cell size

0.36m²*
0.2025m²**

LVN25 air transfer grilles are supplied 2mm less than the nominal size e.g. a 300mm x 300mm is actually 298mm x 298mm, but the PVC mounting flange needs an extra 4mm overall, giving total dimensions 2mm greater than the nominal size. e.g. 302mm x 302mm.

INSTALLATION INSTRUCTIONS

- ▶ Ensure that cutting an aperture in the door will not detract from the fire integrity of the door. Contact the manufacturer to establish the maximum size and optimum position.
- ▶ Cut the aperture to the required size with a maximum gap all around of 3mm. e.g. Maximum dimensions 306mm x 306mm.
- ▶ The door leaf does not compromise a solid timber lamel core (i.e. a core of chipboard, hardboard etc.), the aperture provided should be lined to the full width using hardwood (minimum density of 650kg/m³ and thickness of 6mm).
- ▶ Apply a bead of Lorient intumescent sealant around the aperture approx. 1cm from both sides of the door surface. This will provide a bed for the LVN25.
- ▶ Pre-drill vertical outer frames of LVN25 to accept fixing screws.
- ▶ Fit a half of the LVN25 into the aperture and ensure that it is positioned with the flange snug to the face.
- ▶ Fit retaining wood screws through pre-drilled holes in LVN25 vertical outer uprights into door.
- ▶ Clean off surplus sealant and ensure periphery of half of the LVN25 is fully sealed.
- ▶ Repeat the process with the remaining half of the LVN25.
- ▶ **Note: Fixings supplied by others.**

FIRE DOOR 4

LVH44 AIR TRANSFER GRILLE WITH COVER GRILLES INTO TIMBER FIRE DOOR

DESCRIPTION

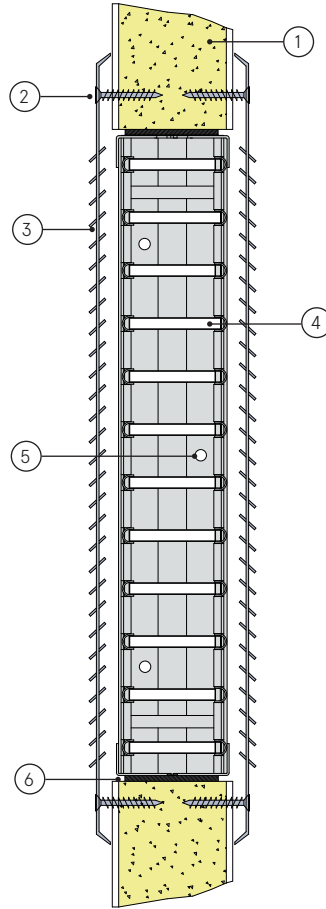
- 1 FD30: 44mm thick timber fire door. FD60: 54mm thick timber door
- 2 Grille to door fasteners - 25mm wood screws
- 3 Pressed steel cover grille
- 4 LVH44 intumescent air transfer grille
- 5 Intumescent air transfer grille to door fasteners - 25mm wood screws
- 6 Intumescent liner.

CONTENTS

- LVH44 air transfer grille
- Intumescent liner (LX4402) or (LX5402)
- Cover grille (optional)

TOOLS REQUIRED

- 25mm wood screws
- Power drill
- Screw driver



Note: Screw holes based on 600mm square grille. Location and number may vary depending on the size of the grille. Max centres 200mm.

LVH44 into a timber fire door

FD30/60

Fire Resistance in accordance with

BS 476-22:1987

Approval Ref

WFRC 397901

Max single cell size

600mm x 600mm

LVH44 air transfer grilles are supplied 2mm less than the nominal size e.g. a 300mm x 300mm is actually 298mm x 298mm.

INSTALLATION INSTRUCTIONS

- ▶ Ensure that cutting an aperture in the door will not detract from the fire integrity of the door. Contact the manufacturer to establish the maximum size and optimum position.
 - ▶ Cut the aperture to the required size with a maximum gap all around of 3mm.
 - ▶ Pre-drill vertical outer frames of LVH44 to accept fixing screws.
 - ▶ Apply Lorient intumescent liner to the inside faces of the aperture.
 - ▶ Fit the LVH44 into the aperture and ensure that it is positioned equidistant from each face and parallel from both faces of the door.
 - ▶ Fit retaining wood screws through pre-drilled holes in LVH44 vertical outer uprights into door.
 - ▶ Position pressed steel cover grille centrally over one face of the LVH44 and fix using screws.
 - ▶ Repeat to other face if two cover grilles are to be fitted.
- ▶ Note: Fixings supplied by others.

FIRE DOOR 5

LVH44 AIR TRANSFER GRILLE WITH COVER GRILLES INTO MINERAL COMPOSITE FIRE DOOR

DESCRIPTION

1	44mm thick mineral composite fire door
2	Grille to door fasteners - 25mm wood screws
3	Pressed steel cover grille
4	LVH44 intumescent air transfer grille
5	Intumescent air transfer grille to door fasteners - 25mm wood screws
6	Intumescent liner

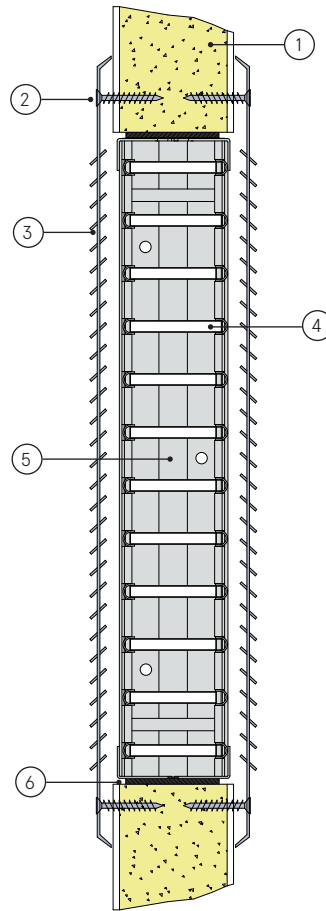
In order to comply with CF564, the upper edge of the grille shall be no higher than 3000mm from the floor level. The lower edge of the grille shall be no closer than 200mm to floor level. Consult door manufacturers before cutting out in relation to permissible aperture sizes and locations.

CONTENTS

- LVH44 air transfer grille
- Intumescent liner (LX4402)
- Cover grille (optional)

TOOLS REQUIRED

- 25mm wood screws
- Power drill
- Screw driver



Note: Screw holes based on 600mm square grille. Location and number may vary depending on the size of the grille. Max centres 200mm.

certifire
(CF564)

LVH44 into a mineral composite fire door

FD120

Fire Resistance in accordance with

BS 476-22:1987

Approval Ref

WFRC 397901
CF564*

Max single cell size

600mm x 600mm

*Any rectangular shape up to 0.2025m²

LVH44 air transfer grilles are supplied 2mm less than the nominal size e.g. a 300mm x 300mm is actually 298mm x 298mm.

INSTALLATION INSTRUCTIONS

- ▶ Ensure that cutting an aperture in the door will not detract from the fire integrity of the door. Contact the manufacturer to establish the maximum size and optimum position.
- ▶ Cut the aperture to the required size with a maximum gap all around of 3mm.
- ▶ Pre-drill vertical outer frames of LVH44 to accept fixing screws.
- ▶ Apply Lorient intumescent liner to the inside faces of the aperture.
- ▶ Fit the LVH44 into the aperture and ensure that it is positioned equidistant from each face and parallel from both faces of the door.
- ▶ Fit retaining wood screws through pre-drilled holes in LVH44 vertical outer uprights into door.
- ▶ Position pressed steel cover grille centrally over one face of the LVH44 and fix using screws.
- ▶ Repeat to other face if two cover grilles are to be fitted.
- ▶ **Note: Fixings supplied by others.**

FIRE DOOR 6

LVH44 AIR TRANSFER GRILLE WITH COVER GRILLES INTO STEEL FIRE DOOR

DESCRIPTION

- | | |
|---|--|
| 1 | 44mm thick steel door |
| 2 | Pressed steel cover grille to door |
| 3 | Pressed steel cover grille |
| 4 | LVH44 intumescent air transfer grille |
| 5 | Intumescent air transfer grille to door fasteners - 25mm wood screws |
| 6 | Use intumescent sealant to bed air transfer grille into door |

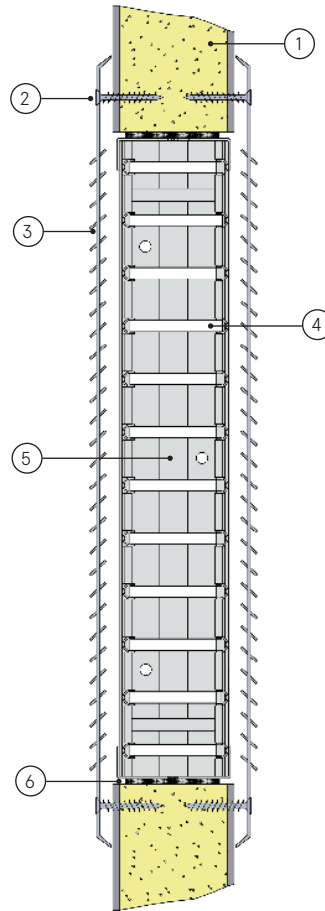
In order to comply with CF564, the upper edge of the grille shall be no higher than 3000mm from the floor level. The lower edge of the grille shall be no closer than 200mm to floor level. Consult door manufacturers before cutting out in relation to permissible aperture sizes and locations.

CONTENTS

- LVH44 air transfer grille
- Cover grille (optional)

TOOLS REQUIRED

- 25mm wood screws
- Power drill
- Screw driver



Note: Screw holes based on 600mm square grille. Location and number may vary depending on the size of the grille. Max centres 200mm.

certifire
(CF564)

LVH44 into a steel fire door

FD120

Fire Resistance in accordance with

BS 476-22:1987

Approval Ref

WFRC 397901
CF564*

Max single cell size

600mm x 600mm

*Any rectangular shape up to 0.2025m²

LVH44 air transfer grilles are supplied 2mm less than the nominal size e.g. a 300mm x 300mm is actually 298mm x 298mm.

INSTALLATION INSTRUCTIONS

- ▶ Ensure that cutting an aperture in the door will not detract from the fire integrity of the door. Contact the manufacturer to establish the maximum size and optimum position.
- ▶ Cut the aperture to the required size with a maximum gap all around of 3mm.
- ▶ Pre-drill vertical outer frames of LVH44 to accept fixing screws.
- ▶ Apply Lorient intumescent liner to the inside faces of the aperture.
- ▶ Fit the LVH44 into the aperture and ensure that it is positioned equidistant from each face and parallel from both faces of the door.
- ▶ Fit retaining wood screws through pre-drilled holes in LVH44 vertical outer uprights into door.
- ▶ Position pressed steel cover grille centrally over one face of the LVH44 and fix using screws.
- ▶ Repeat to other face if two cover grilles are to be fitted.
- ▶ **Note: Fixings supplied by others.**

FIRE DOOR 7

LVN20S NON-VISION FIRE + SMOKE AIR TRANSFER GRILLE INTO TIMBER FIRE DOOR

DESCRIPTION

- | | |
|---|--|
| 1 | 44mm thick timber fire door |
| 2 | Mounting flange |
| 3 | Horizontal intumescent louvred slats |
| 4 | Air transfer grille to door fasteners - 25mm wood screws |
| 5 | Hit + miss smoke control plates. Central plate moves, outer plates fixed |
| 6 | Servo driven actuator |
| 7 | Intumescent inserts between the air transfer grille and the door |
| 8 | Drop seal |

In order to comply with CF564, the upper edge of the grille shall be no higher than 800mm from floor level. Consult door manufacturer before cutting out in relation to permissible aperture sizes and locations

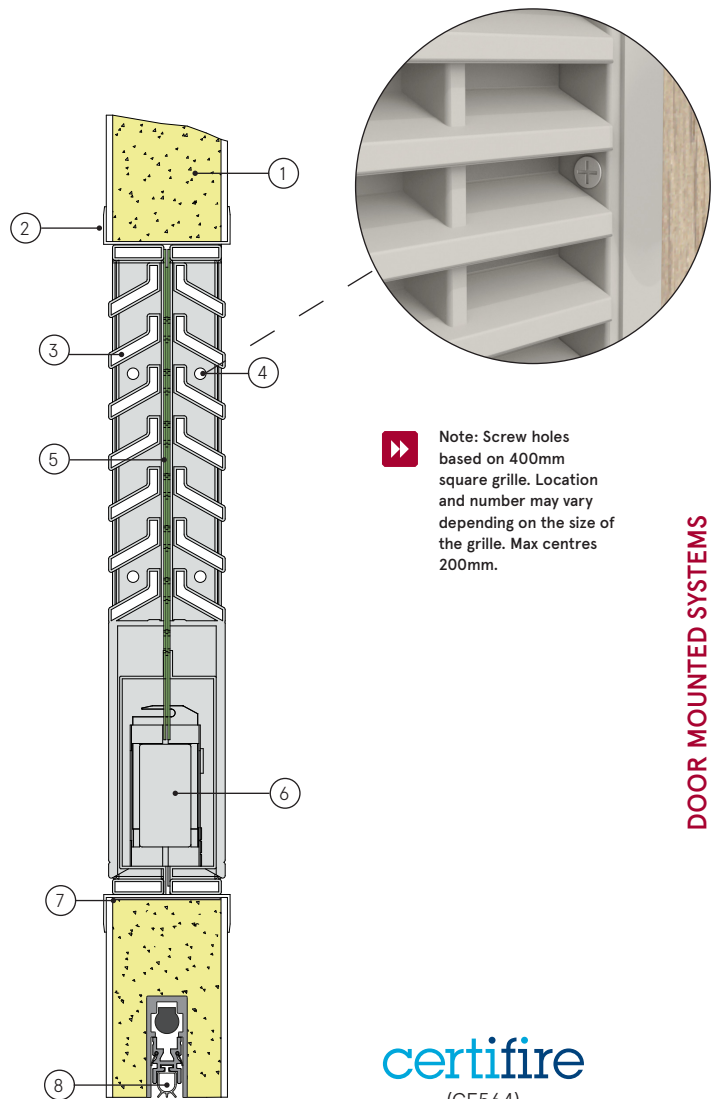
If the door leaf core does not comprise a solid timber lamel core (i.e. a core of chipboard, flaxboard etc.), the aperture provided in the leaf should be lined to full width using hardwood, with a minimum density of 650kg/m³ and a thickness of at least 6mm. This hardwood liner may be omitted should the leaf have been tested.

CONTENTS

- LVN20S fire + smoke resistant air transfer grille
- Lorient intumescent liner (LX4402)

TOOLS REQUIRED

- 25mm wood screws
- Power drill
- Screw driver



Note: Screw holes based on 400mm square grille. Location and number may vary depending on the size of the grille. Max centres 200mm.

certifire
(CF564)

DOOR MOUNTED SYSTEMS

LVN20S into a timber fire door

FD30S

Fire Resistance in accordance with

BS 476-22:1987

Approval Ref

CF564

Max single cell size

400x400mm / 0.16m² at up to 800mm above FFL**

Requires an aperture 5mm over size. e.g. a 300mm x 300mm needs an aperture 305mm x 305mm to accommodate the flange.

INSTALLATION INSTRUCTIONS

- ▶ Ensure that cutting an aperture in the door will not detract from the fire integrity of the door. Contact the manufacturer to establish the maximum size and optimum position.
- ▶ The initial installation of this type of air transfer grille is best carried out with the door dismantled. If rebated threshold seal is to be fitted this should be done temporarily before fitting the LVN20S assembly and then removed.
- ▶ Cut the aperture to the required size with a maximum gap all around the outside of the flange of 3mm.
- ▶ Check that the two halves of the air transfer grille fit into the aperture without twisting jamming or in any way distorting. Remove LVN20S sub assemblies from aperture.
- ▶ Drill vertical outer frames of each air transfer grille and flange sub assembly to accept fixing screws if not pre-drilled when supplied.
- ▶ Drill and rebate door to provide wiring route to conductor hinges or loop connection (refer to conductor hinge datasheet).
- ▶ Fit intumescent inserts to the inside faces of the aperture.
- ▶ Fit the LVN20S sub assembly that incorporates the actuator into the aperture, ensuring that the actuator is at the bottom of the aperture. Route the wiring in to the required connection (hinge or loop) ensuring that it lies tidily and does not cause any distortion of the damper or is likely to become trapped.
- ▶ Fit retaining wood screws through pre-drilled holes in LVN20S vertical outer uprights into door.
- ▶ Refer to wiring instructions.
- ▶ Carry out a function check of the air transfer grille by activation from the control unit whilst actuator is visible and wiring accessible, before fitting the remaining half of the LVN20S.
- ▶ After satisfactorily completing function check, fit the remaining half LVN20S assembly ensuring that the smoke control sliding plates do not become squeezed between the two air transfer grille halves or wiring becomes trapped.
- ▶ Repeat the function check on complete installation.

FIRE DOOR 8

LVN20S NON-VISION FIRE + SMOKE AIR TRANSFER GRILLE INTO TIMBER FIRE DOOR

DESCRIPTION

- | | |
|---|--|
| 1 | 54mm thick timber fire door |
| 2 | Mounting flange |
| 3 | Horizontal intumescent louvred slats |
| 4 | Air transfer grille to door fasteners - 25mm wood screws |
| 5 | Hit + miss smoke control plates. Central plate moves, outer plates fixed |
| 6 | Servo driven actuator |
| 7 | Intumescent inserts between the air transfer grille and the door |
| 8 | Drop seal |

In order to comply with CF564, the upper edge of the grille shall be no higher than 800mm from floor level. Consult door manufacturer before cutting out in relation to permissible aperture sizes and locations

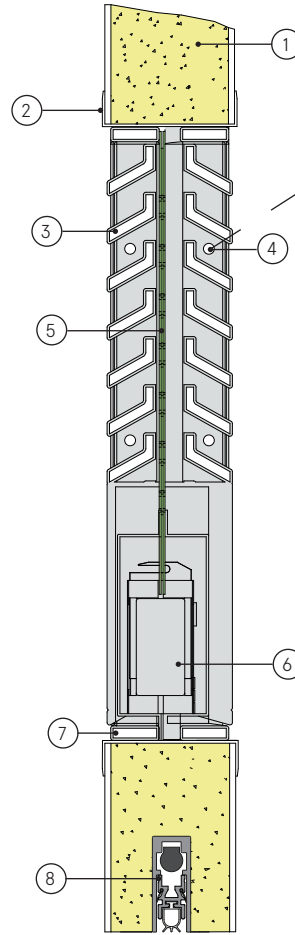
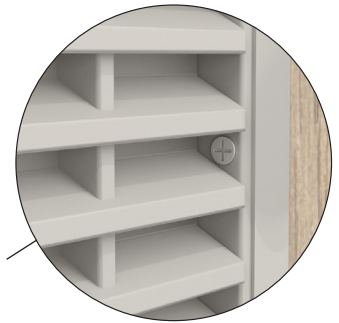
If the door leaf core does not comprise a solid timber lamel core (i.e. a core of chipboard, flaxboard etc.), the aperture provided in the leaf should be lined to full width using hardwood, with a minimum density of 650kg/m³ and a thickness of at least 6mm. This hardwood liner may be omitted should the leaf have been tested.

CONTENTS

- LVN20S fire + smoke resistant air transfer grille
- Lorient intumescent liner (LX4402)

TOOLS REQUIRED

- 25mm wood screws
- Power drill
- Screw driver



Note: Screw holes based on 400mm square grille. Location and number may vary depending on the size of the grille. Max centres 200mm.

DOOR MOUNTED SYSTEMS

certifire
(CF564)

LVN20S into a timber fire door

FD60S

Fire Resistance in accordance with

BS 476-22:1987

Approval Ref

Appus-19-19940-1428*
CF564**

Max single cell size

350x350mm at up to 1350mm above FFL*
400x400mm / 0.16m² at up to 800mm above FFL**

Requires an aperture 5mm over size. e.g. a 300mm x 300mm needs an aperture 305mm x 305mm to accommodate the flange.

INSTALLATION INSTRUCTIONS

- ▶ Ensure that cutting an aperture in the door will not detract from the fire integrity of the door. Contact the manufacturer to establish the maximum size and optimum position.
- ▶ The initial installation of this type of air transfer grille is best carried out with the door dismantled. If rebated threshold seal is to be fitted this should be done temporarily before fitting the LVN20S assembly and then removed.
- ▶ Cut the aperture to the required size with a maximum gap all around the outside of the flange of 3mm.
- ▶ Check that the two halves of the air transfer grille fit into the aperture without twisting jamming or in any way distorting. Remove LVN20S sub assemblies from aperture.
- ▶ Drill vertical outer frames of each air transfer grille and flange sub assembly to accept fixing screws if not pre-drilled when supplied.
- ▶ Drill and rebate door to provide wiring route to conductor hinges or loop connection (refer to conductor hinge datasheet).
- ▶ Fit intumescent inserts to the inside faces of the aperture.
- ▶ Fit the LVN20S sub assembly that incorporates the actuator into the aperture, ensuring that the actuator is at the bottom of the aperture. Route the wiring in to the required connection (hinge or loop) ensuring that it lies tidily and does not cause any distortion of the damper or is likely to become trapped.
- ▶ Fit retaining wood screws through pre-drilled holes in LVN20S vertical outer uprights into door.
- ▶ Refer to wiring instructions.
- ▶ Carry out a function check of the air transfer grille by activation from the control unit whilst actuator is visible and wiring accessible, before fitting the remaining half of the LVN20S.
- ▶ After satisfactorily completing function check, fit the remaining half LVN20S assembly ensuring that the smoke control sliding plates do not become squeezed between the two air transfer grille halves or wiring becomes trapped.
- ▶ Repeat the function check on complete installation.

FIRE DOOR 9

LVN25S NON-VISION FIRE + SMOKE AIR TRANSFER GRILLE INTO TIMBER FIRE DOOR

DESCRIPTION

- 1 >50mm thick timber fire door
- 2 Mounting flange
- 3 Horizontal intumescent louvred slats
- 4 Air transfer grille to door fasteners - 25mm wood screws
- 5 Hit + miss smoke control plates. Central plate moves, outer plates fixed
- 6 Servo driven actuator
- 7 Intumescent inserts between the air transfer grille and the door
- 8 Drop seal

In order to comply with CF564, the upper edge of the grille shall be no higher than 800mm from floor level. Consult door manufacturer before cutting out in relation to permissible aperture sizes and locations

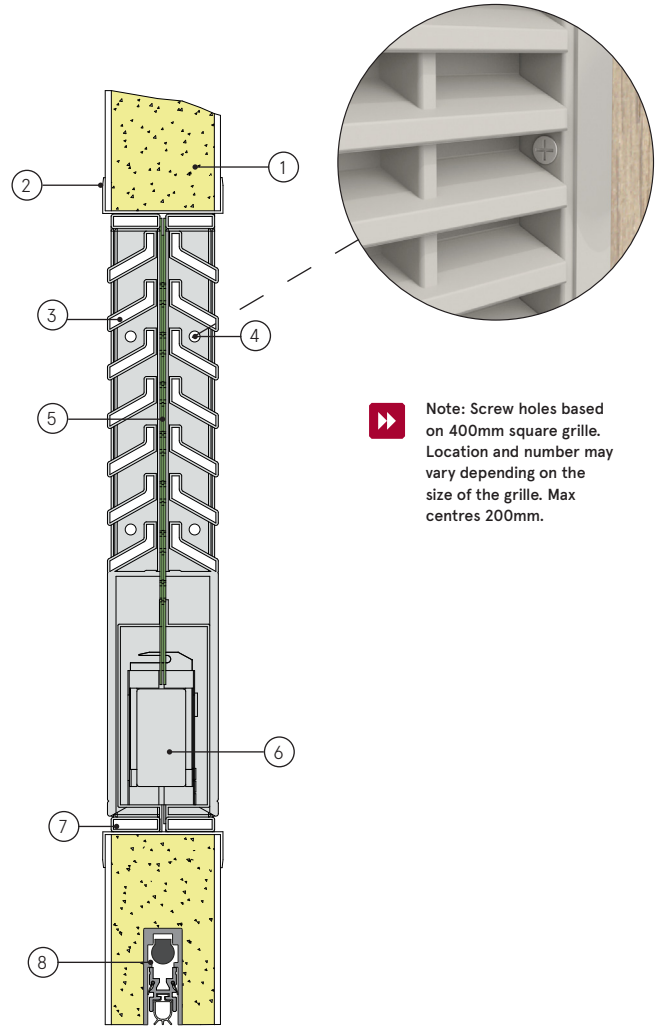
If the door leaf core does not comprise a solid timber lamel core (i.e. a core of chipboard, flaxboard etc.), the aperture provided in the leaf should be lined to full width using hardwood, with a minimum density of 650kg/m³ and a thickness of at least 6mm. This hardwood liner may be omitted should the leaf have been tested.

CONTENTS

- LVN25S fire + smoke resistant air transfer grille
- Lorient intumescent liner (LX5402)

TOOLS REQUIRED

- 25mm wood screws
- Power drill
- Screw driver



Note: Screw holes based on 400mm square grille. Location and number may vary depending on the size of the grille. Max centres 200mm.



LVN25S into a timber fire door

FD30S

Fire Resistance in accordance with

BS 476-22:1987

Approval Ref

CF564

Max single cell size

400x400mm / 0.16m² at up to 800mm above FFL

Requires an aperture 5mm over size. e.g. a 300mm x 300mm needs an aperture 305mm x 305mm to accommodate the flange.

INSTALLATION INSTRUCTIONS

- ▶ Ensure that cutting an aperture in the door will not detract from the fire integrity of the door. Contact the manufacturer to establish the maximum size and optimum position.
- ▶ The initial installation of this type of air transfer grille is best carried out with the door dismantled. If rebated threshold seal is to be fitted this should be done temporarily before fitting the LVN25S assembly and then removed.
- ▶ Cut the aperture to the required size with a maximum gap all around the outside of the flange of 3mm.
- ▶ Check that the two halves of the air transfer grille fit into the aperture without twisting jamming or in any way distorting. Remove LVN25S sub assemblies from aperture.
- ▶ Drill vertical outer frames of each air transfer grille and flange sub assembly to accept fixing screws if not pre-drilled when supplied.
- ▶ Drill and rebate door to provide wiring route to conductor hinges or loop connection (refer to conductor hinge datasheet).
- ▶ Fit intumescent inserts to the inside faces of the aperture.
- ▶ Fit the LVN25S sub assembly that incorporates the actuator into the aperture, ensuring that the actuator is at the bottom of the aperture. Route the wiring in to the required connection (hinge or loop) ensuring that it lies tidily and does not cause any distortion of the damper or is likely to become trapped.
- ▶ Fit retaining wood screws through pre-drilled holes in LVN25S vertical outer uprights into door.
- ▶ Refer to wiring instructions.
- ▶ Carry out a function check of the air transfer grille by activation from the control unit whilst actuator is visible and wiring accessible, before fitting the remaining half of the LVN25S.
- ▶ After satisfactorily completing function check, fit the remaining half LVN25S assembly ensuring that the smoke control sliding plates do not become squeezed between the two air transfer grille halves or wiring becomes trapped.
- ▶ Repeat the function check on complete installation.

FIRE DOOR 10

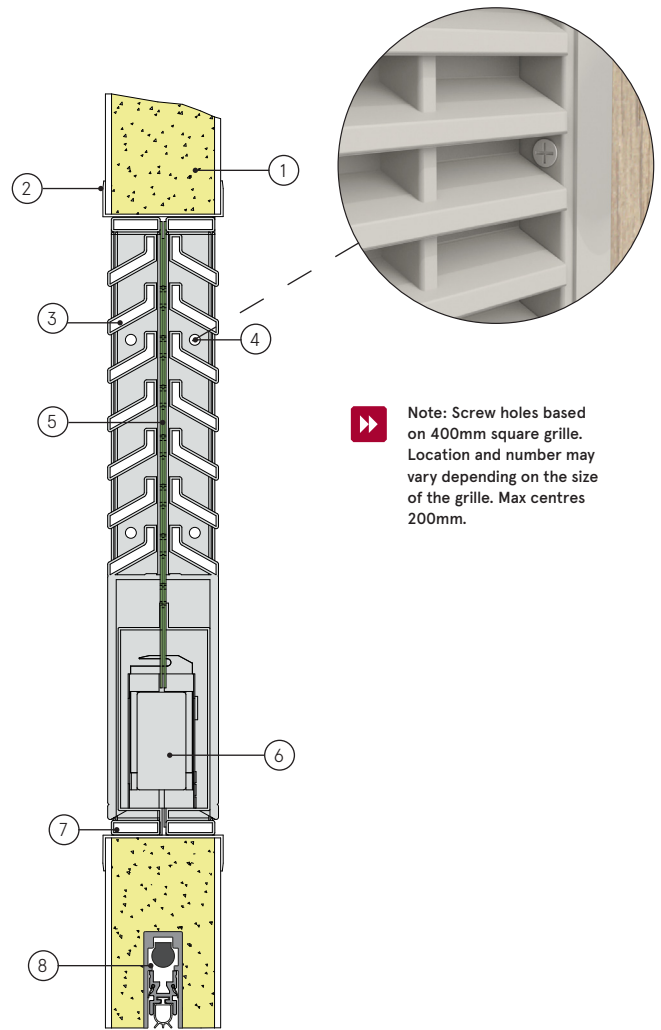
LVN25S NON-VISION FIRE + SMOKE AIR TRANSFER GRILLE INTO TIMBER FIRE DOOR

DESCRIPTION

- | | |
|---|--|
| 1 | 54mm thick timber fire door |
| 2 | Mounting flange |
| 3 | Horizontal intumescent louvred slats |
| 4 | Air transfer grille to door fasteners - 25mm wood screws |
| 5 | Hit + miss smoke control plates. Central plate moves, outer plates fixed |
| 6 | Servo driven actuator |
| 7 | Intumescent inserts between the air transfer grille and the door |
| 8 | Drop seal |

In order to comply with CF564, the upper edge of the grille shall be no higher than 800mm from floor level. Consult door manufacturer before cutting out in relation to permissible aperture sizes and locations

If the door leaf core does not comprise a solid timber lamel core (i.e. a core of chipboard, flaxboard etc.), the aperture provided in the leaf should be lined to full width using hardwood, with a minimum density of 650kg/m³ and a thickness of at least 6mm. This hardwood liner may be omitted should the leaf have been tested.



Note: Screw holes based on 400mm square grille. Location and number may vary depending on the size of the grille. Max centres 200mm.

DOOR MOUNTED SYSTEMS

CONTENTS

- LVN25S fire + smoke resistant air transfer grille
- Lorient intumescent liner (LX5402)

TOOLS REQUIRED

- 25mm wood screws
- Power drill
- Screw driver

certifire
(CF564)

LVN25S into a timber fire door

FD60S

Fire Resistance in accordance with

BS 476-22:1987

Approval Ref

Applus-19-19940-1428*
CF564**

Max single cell size

350x350mm at up to 1350mm above FFL*
400x400mm / 0.16m² at up to 800mm above FFL**
0.16m²

Requires an aperture 5mm over size. e.g. a 300mm x 300mm needs an aperture 305mm x 305mm to accommodate the flange.

INSTALLATION INSTRUCTIONS

- ▶ Ensure that cutting an aperture in the door will not detract from the fire integrity of the door. Contact the manufacturer to establish the maximum size and optimum position.
- ▶ The initial installation of this type of air transfer grille is best carried out with the door dismantled. If rebated threshold seal is to be fitted this should be done temporarily before fitting the LVN25S assembly and then removed.
- ▶ Cut the aperture to the required size with a maximum gap all around the outside of the flange of 3mm.
- ▶ Check that the two halves of the air transfer grille fit into the aperture without twisting jamming or in any way distorting. Remove LVN25S sub assemblies from aperture.
- ▶ Drill vertical outer frames of each air transfer grille and flange sub assembly to accept fixing screws if not pre-drilled when supplied.
- ▶ Drill and rebate door to provide wiring route to conductor hinges or loop connection (refer to conductor hinge datasheet).
- ▶ Fit intumescent inserts to the inside faces of the aperture.
- ▶ Fit the LVN25S sub assembly that incorporates the actuator into the aperture, ensuring that the actuator is at the bottom of the aperture. Route the wiring in to the required connection (hinge or loop) ensuring that it lies tidily and does not cause any distortion of the damper or is likely to become trapped.
- ▶ Fit retaining wood screws through pre-drilled holes in LVN25S vertical outer uprights into door.
- ▶ **Refer to wiring instructions.**
- ▶ Carry out a function check of the air transfer grille by activation from the control unit whilst actuator is visible and wiring accessible, before fitting the remaining half of the LVN25S.
- ▶ After satisfactorily completing function check, fit the remaining half LVN25S assembly ensuring that the smoke control sliding plates do not become squeezed between the two air transfer grille halves or wiring becomes trapped.
- ▶ Repeat the function check on complete installation.