

DUCT 5

RIGID WALL WITH ANGLE FIXINGS TO WALL (DUCT TO DUCT)

DESCRIPTION

- 1 Rigid wall construction
- 2 Straight through duct with breakaway connections
- 3 LVHC44 intumescent air transfer grille
- 4 Lorient intumescent sealant around spiral casing to a maximum clearance of 25mm
- 5 **Fixing angle:** 40 x 40 x 1mm thick minimum galvanised steel angles fixed to LVHC44 unit with self tapping screw and to wall with masonry anchors

Fixing option 1: For 200mm diameter and less - 40mm wide angles, at three points on the edge of the LVHC44 air transfer grille

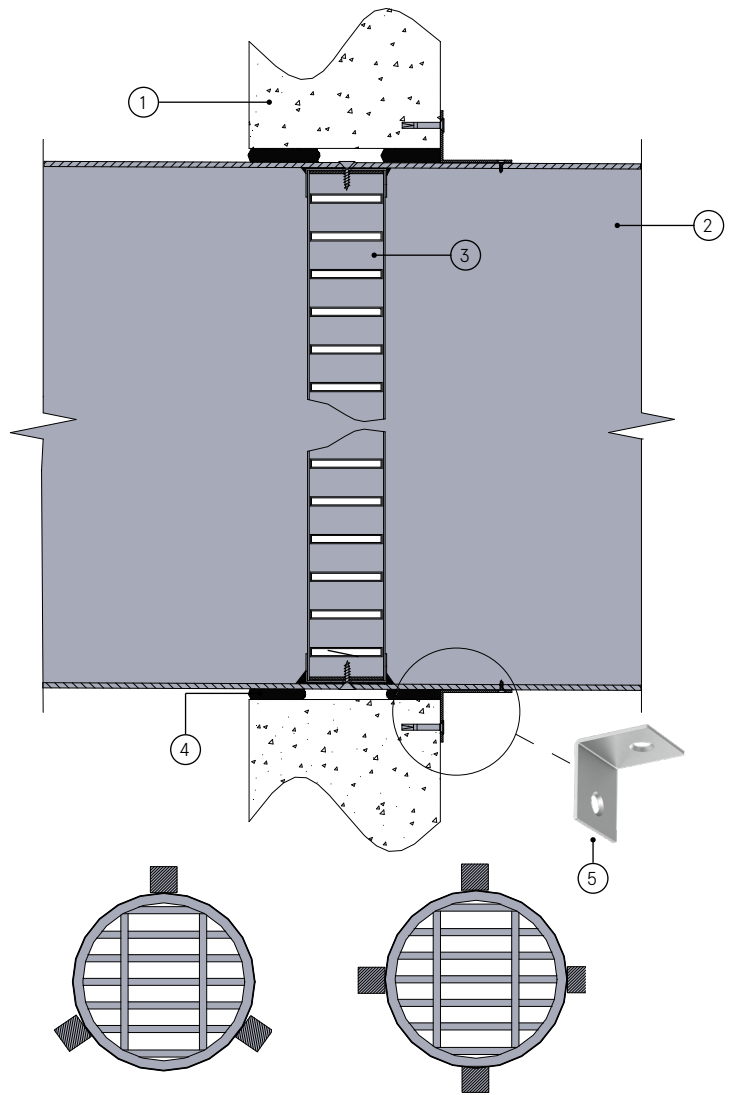
Fixing option 2: For greater than 200mm diameter 40mm wide angles, at four points on the edge of the LVHC44 air transfer grille

CONTENTS

- LVHC44 air transfer grille

TOOLS REQUIRED

- Fixing angle (40 x 40 x 1mm)
- Self tapping screws (3.2mm x 16mm)
- Masonry anchors
- Lorient intumescent sealant



FIXING OPTION 1

FIXING OPTION 2

Rigid wall with angle fixings to wall (duct to duct)

FR120

Fire Resistance in accordance with

BS 476-22:1987

Approval Ref

WFRC C121316 (OW1)
WFRC 397901

Max single cell size

600mm diameter

LVHC44 air transfer grilles are supplied 2mm less than the nominal size e.g. a 150mm is actually 148mm.

INSTALLATION INSTRUCTIONS

- ▶ Cut aperture in wall a least 30mm larger than the outside diameter of the duct.
- ▶ Pass duct through aperture into correct linear location and mark positions of both wall faces on duct.
- ▶ Remove duct from aperture and position LVHC44 in duct midway between the two wall marks.
- ▶ Drill through duct wall into LVHC44 outer frame and fit at least 3 number self tapping screws to retain air transfer grille.
- ▶ Seal joints between edges of LVHC44 and duct wall with intumescent sealant.
- ▶ Fix three or four mounting angles onto the LVHC44 air transfer grille unit using self tapping screws to one side only.
- ▶ Insert air transfer grille into masonry wall opening (note: LVHC44 does not have to be centrally positioned in the opening).
- ▶ Fix the three or four mounting angles depending on the diameter, to the masonry wall with masonry anchors.
- ▶ Apply a bead of Lorient intumescent sealant around the perimeter of metal sleeve as shown (note: maximum annular clearance of 25mm applies).
- ▶ Connect ductwork directly to metal sleeve using approved breakaway connections to ensure compliance.