

# FLOOR 4

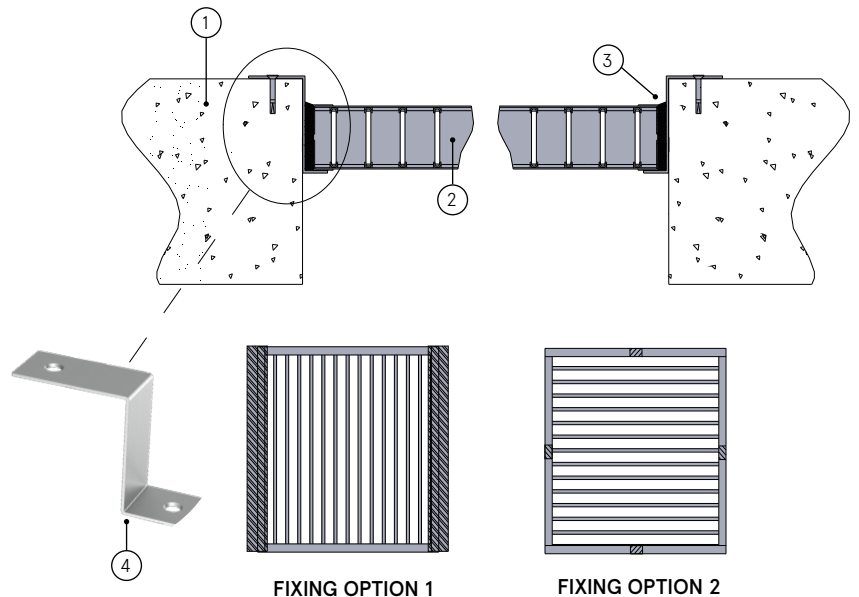
## MASONRY FLOOR WITH Z SECTION FIXINGS

### DESCRIPTION

- 1 Masonry floor
- 2 LVH44 air transfer grille
- 3 Lorient intumescent sealant around LVH44 perimeter to a maximum clearance of 10mm
- 4 **Fixing angle:** 40 x 60 x 20mm, 1mm thick minimum galvanised steel Z sections fixed to floor with masonry anchors

**Fixing option 1:** Full width Z sections on opposing sides only with 200mm fixing centres

**Fixing option 2:** 20mm wide Z sections, central to all four sides or at 200mm maximum centres.



### CONTENTS

- LVH44 air transfer grille

### TOOLS REQUIRED

- Lorient intumescent sealant
- Masonry anchors
- Z section fixings 40 x 60 x 20mm, 1mm thick



Note: If no reticulating ductwork is above the slab a protective and load-bearing grate is necessary.

### Masonry floor with Z section fixings

## FR120

### Fire Resistance in accordance with

BS 476-22:1987

### Approval Ref

WFRC C121316 (AF2)

### Max single cell size

600 x 600mm

Larger sizes can be used with different mounting detail.

LVH44 air transfer grilles are supplied 2mm less than the nominal size e.g. a 300mm x 300mm is actually 298mm x 298mm.

### INSTALLATION INSTRUCTIONS

- ▶ Fix the Z sections to the masonry floor using masonry anchors.
- ▶ Insert LVH44 into masonry floor opening (note: air transfer grille does not have to be centrally positioned in the opening).
- ▶ Apply a bead of Lorient intumescent sealant around the perimeter of metal sleeve as shown (note: maximum clearance of 10mm applies).
- ▶ Connect ductwork (or cover grille) directly to floor using approved breakaway connections to ensure compliance.