

DROP SEALS

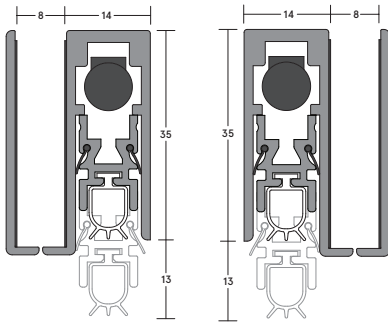
LAS8002G si

MEDIUM DUTY

A slimline face-fixed drop seal suitable for glass doors – hinged into timber or aluminium frames. A smooth back plate creates a visual aesthetic. LAS8002G si features a high efficiency mechanism, which lifts the seal clear of the floor as soon as the door is opened by a few millimetres; resulting in lower door operating forces.

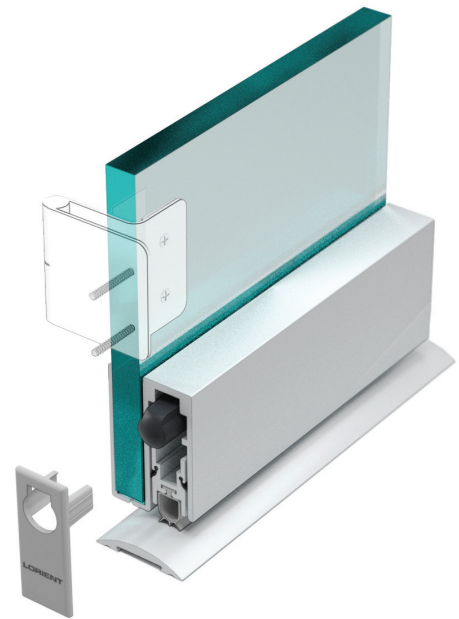


DROP SEALS



▲ LAS8002G si
(right handed)

▲ LAS8002G si
(left handed)



▲ LAS8002G si (shown with LAS4001)

SYSTEM SPECIFICATIONS

Test evidence

- ▶ Durability: 1 million cycles.

Performance

- ▶ Meets smoke requirement: BS 9999: 2017.
- ▶ Protects against smoke, draught and insects.
- ▶ Suitable for wheeled traffic.

Location

- ▶ Single swing doors.
- ▶ For use on both right and left handed doors.

Use with

- ▶ Any perimeter seal. Any threshold plate.

Min/max gap size

- ▶ 1mm/10mm.

Seal material

- ▶ Grey silicone rubber.

Standard lengths

- ▶ 335mm, 435mm, 535mm, 635mm, 735mm, 835mm, 935mm, 1035mm, 1135mm and 1235mm.

- ▶ Note: Each length can be cut back to the next size down. The 335mm can be cut back to 255mm.

Adjustment

- ▶ Self-levelling on uneven surfaces.

Glass thickness

- ▶ Minimum: 8mm.
- ▶ Maximum: No maximum glass thickness.

Fixing

- ▶ LAS8002G si carrier and back plate are face-fixed with strong adhesive tape.
- ▶ Fit end caps.
- ▶ This product is non-reversible and needs to be ordered left or right handed.

Finishes

- ▶ Silver anodised aluminium with grey end caps and grey silicone rubber gasket.
- ▶ Bronze anodised aluminium with black end caps and black silicone rubber gasket.
- ▶ Black and light bronze anodised aluminium (non-standard - charges and lead times apply).
- ▶ Other powder-coated colour finishes (non-standard - charges and lead times apply).